

## Crystal A3 LED Paneler

Elegant system for vindu



Design	Item No	Stående / Liggende Crystal paneler
	Feature	Double Sided, Ceiling Suspended, Illuminated Poster Display with Magnetic Closure and Special Electric Tray with No Wires
	Delivery	Packed Individually in Corner Secured Carton Boxes
	Colour Version	Glass Clear PMMA, Chrome Fittings, Silver Passepartout and Electric Rail
Dimension	Overall Depth	1.4 in
	Poster Size	8,5 x 11 in
	External Size	12.8 x 15.1 in
	Visual Size	8 x 10.5 in
	Electric Rail	39.4 in
	Weight	6 kgs
Application	Permanent	✓
	Suspended	✓
	Indoor	✓
	Double Sided	✓
	Print	Poster, Suggested Duratrans
	Installation Time	2 Minutes
	No Cables	✓

Mounting	Poster	Insert Into Magnetic PET Cover
	Electric Rail	By 2x Screws and Plugs Provided in Box
Illumination	Lighting	PMMA Sheets with Optimised Laser Engraved Dot Pattern, Edgelit by LED Strips
	LED	SMD at Flexible PCB, 12V
	Life Time	50000 Hrs
	Light Color	6500 K
	Operating Temp.	0 - 50 * C
	Power Supply	Jinbo / Meanwell power supply with US plug, external
Consumption		40 W / Hr
	Packaging	4x Crystal Frames + electric tray + suspension set + Power supply

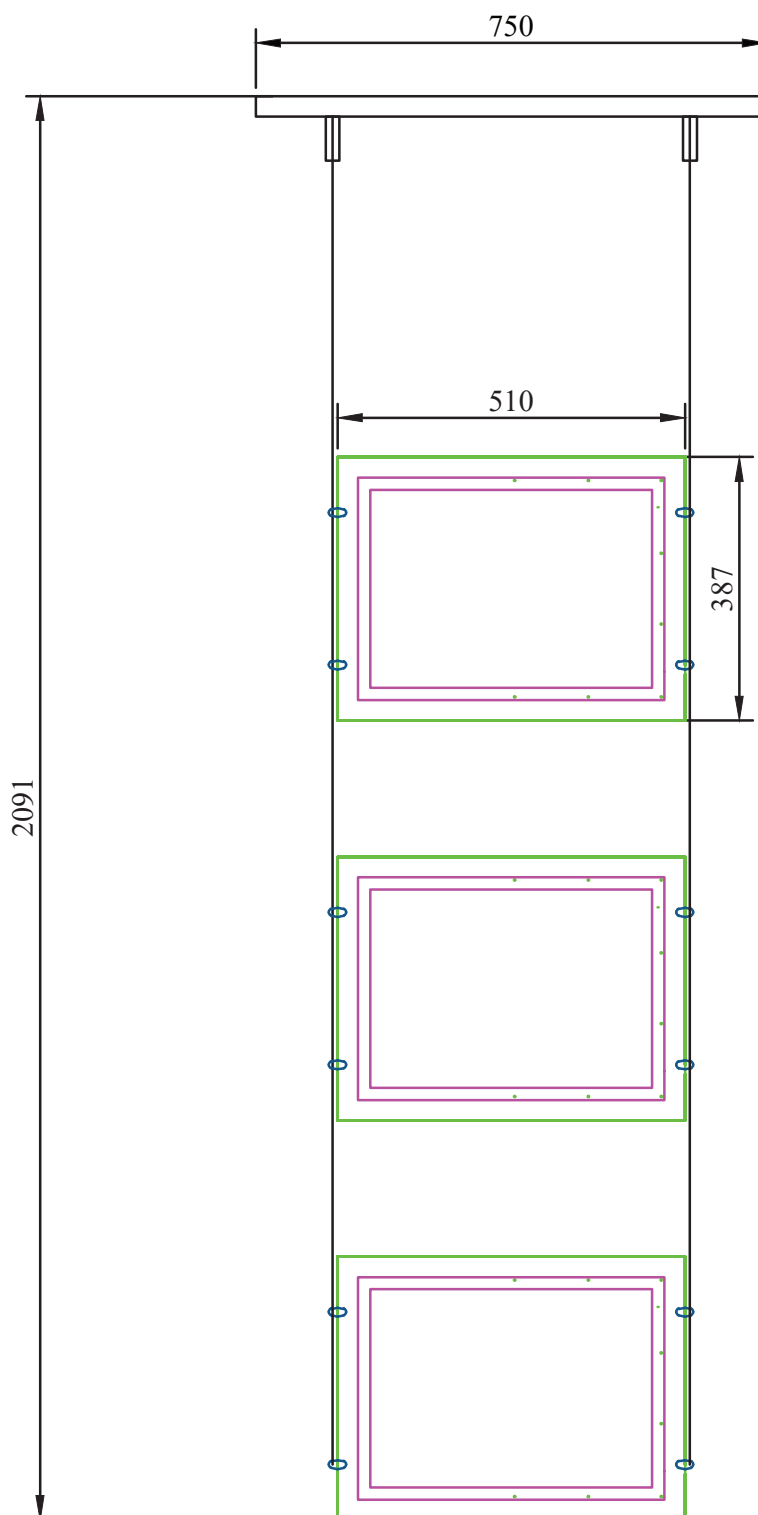


## Crystal A3 LED Paneler Liggende

Elegant system for vindu

**Produkt:**

LED Paneler 3xA3 liggende til vindu og fasade | mål oppgitt i millimeter



## Crystal A3 LED Paneler Stående

Elegant system for vindu

**Produkt:**

LED Paneler 3xA3 stående til vindu og fasade | mål oppgitt i millimeter

